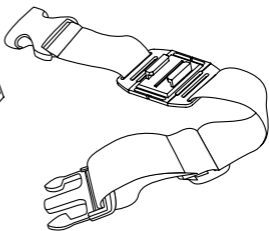
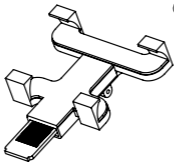


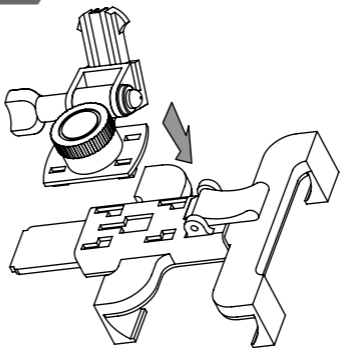
# **DREAM PILOT**

User Manual

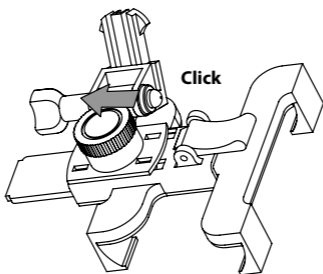
## WHAT'S INCLUDED



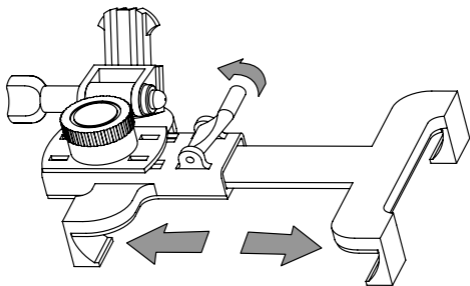
## STEP 1



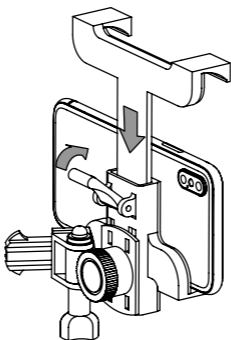
## STEP 2



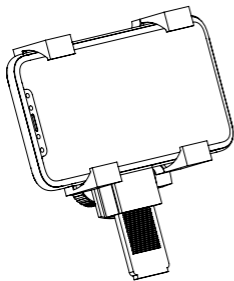
## STEP 3



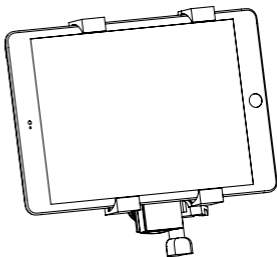
## STEP 4



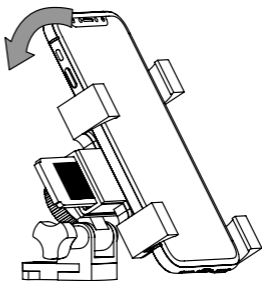
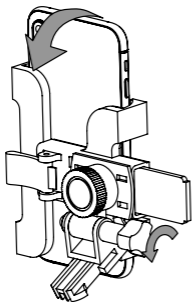
**Smartphone**



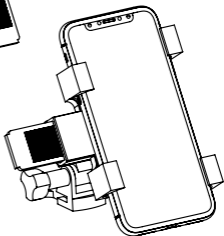
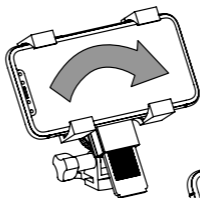
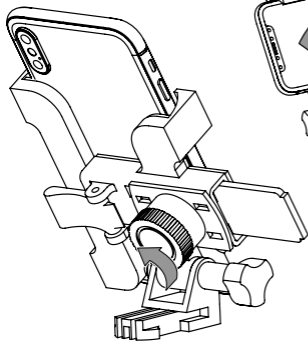
**iPad mini**



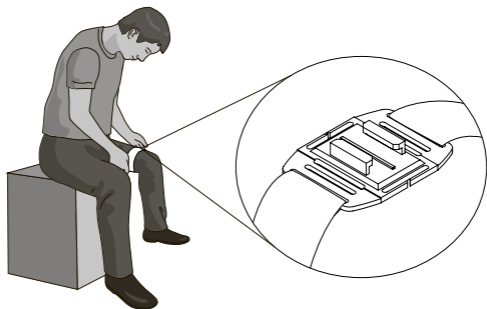
## STEP 5



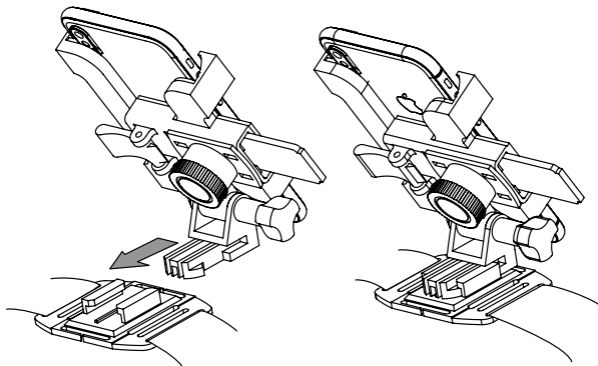
## STEP 6



## STEP 7



## STEP 8



## STEP 9

